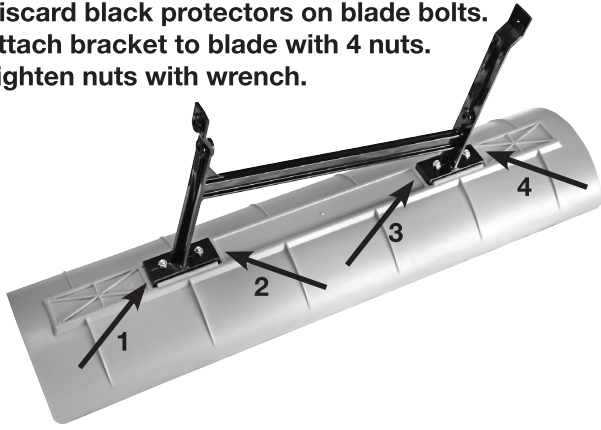
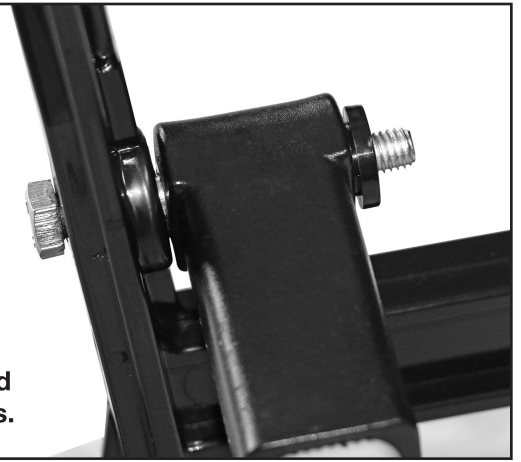


- 1** Discard black protectors on blade bolts. Attach bracket to blade with 4 nuts. Tighten nuts with wrench.



2

Attach handle assembly using bolt, bushing and nut found pre-assembled at handle ends.



3



Tighten handle assembly with wrenches holding both bolt end and nut.

4

Note marking on wheel for OUTSIDE.

Slide bolt through outside of wheel.

Add washer to inside of wheel.



5



Slide bolt through hole to attach wheels to OUTSIDE of bracket making sure washer is between wheel and bracket.

6

Secure each wheel with a nut. Tighten with wrenches.



7



Completed assembly.

YO-HO
QUALITY TOOLS

PolarTuff

PLOW

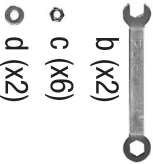
YEOMAN & COMPANY

PO Box 30, Monticello, Iowa 52310

www.yo-ho.com



a

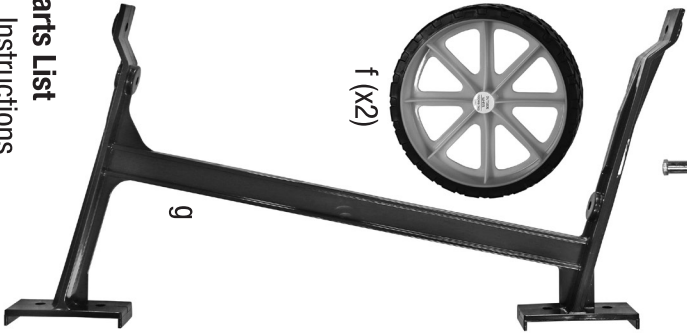


b (x2)

c (x6)

d (x2)

e (x2)

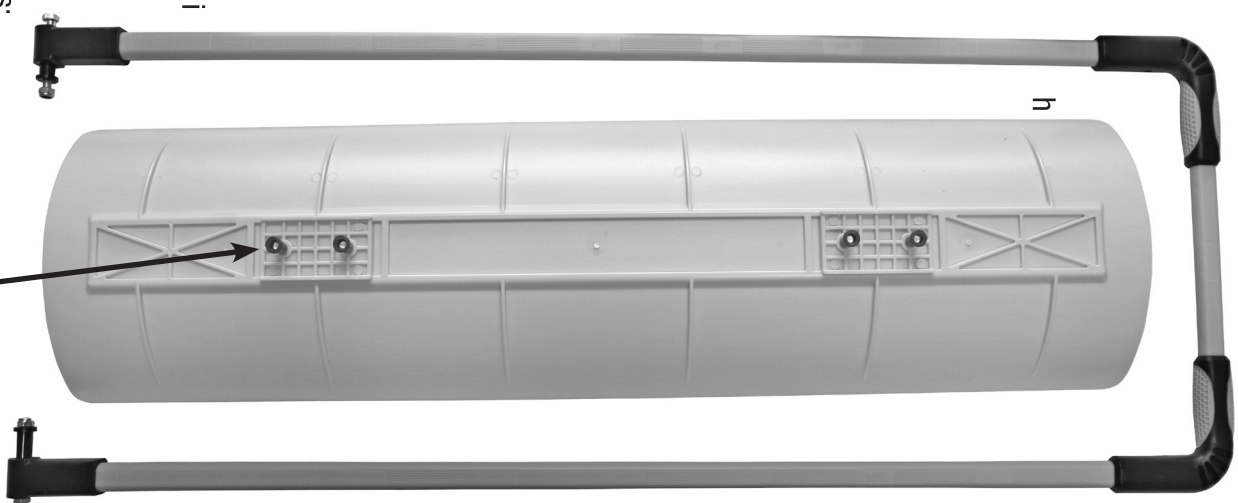


f (x2)

g

Parts List

- a. Instructions
- b. Wrenches (x2)
- c. Nylock Hexnuts (x6)
- d. Wheel Washers (x2)
- e. Wheel Bolt (x2)
- f. Wheels (x2)
- g. Bracket
- h. Blade
- i. U-Handle Assembly – includes:
Fiberglass Handle with Grips
Handle-to-Bracket Bolts (x2)
Handle-to-Bracket Bushings (x2)
Nylock Hexnuts (x2)



h



Note: Remove and discard black protective covers from four blade bolts.

